

USB WatchDog Timer

To increase the system operation reliability, it is recommended to use **USB WatchDog Timer** device in the computers operating in automatic round-the-clock mode without constant operator supervision.

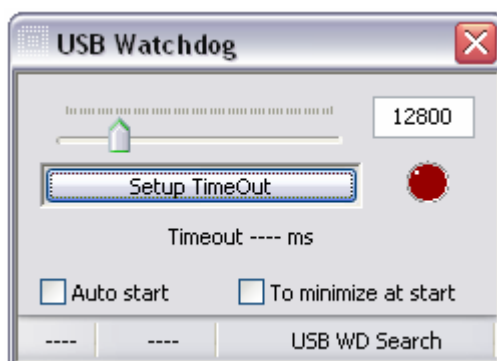
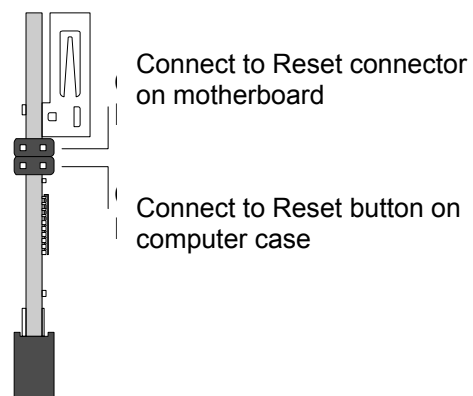
This device is designed for continuous control of system condition and inspection of its operability. Its work principle is simple; the system is periodically required to respond to sent enquiries confirming its operability. If the system ceases to respond, it is forced to reload.

Automatic restart is performed by generating a Reset pulse signal, which is similar to the button on the case of a computer.

The device can be applied in any PC that demands increased fault tolerance and automatic operability restoration after software and hardware failures.

Specifications:

- 9-pin connector for USB-controller on motherboard;
- Build-in USB-connector allows to install the application security dongle inside the computer system unit;
- High reliability;
- Simple hookup;
- API for software control;
- Programmable USB controller is used;
- Low energy consumption;
- Does not require a separate power supply;
- Small size.



The standard software settings are extremely simple.

At the same time, API for software control comes bundled with the set, which allows a more advanced integration of the device into your system, if necessary.